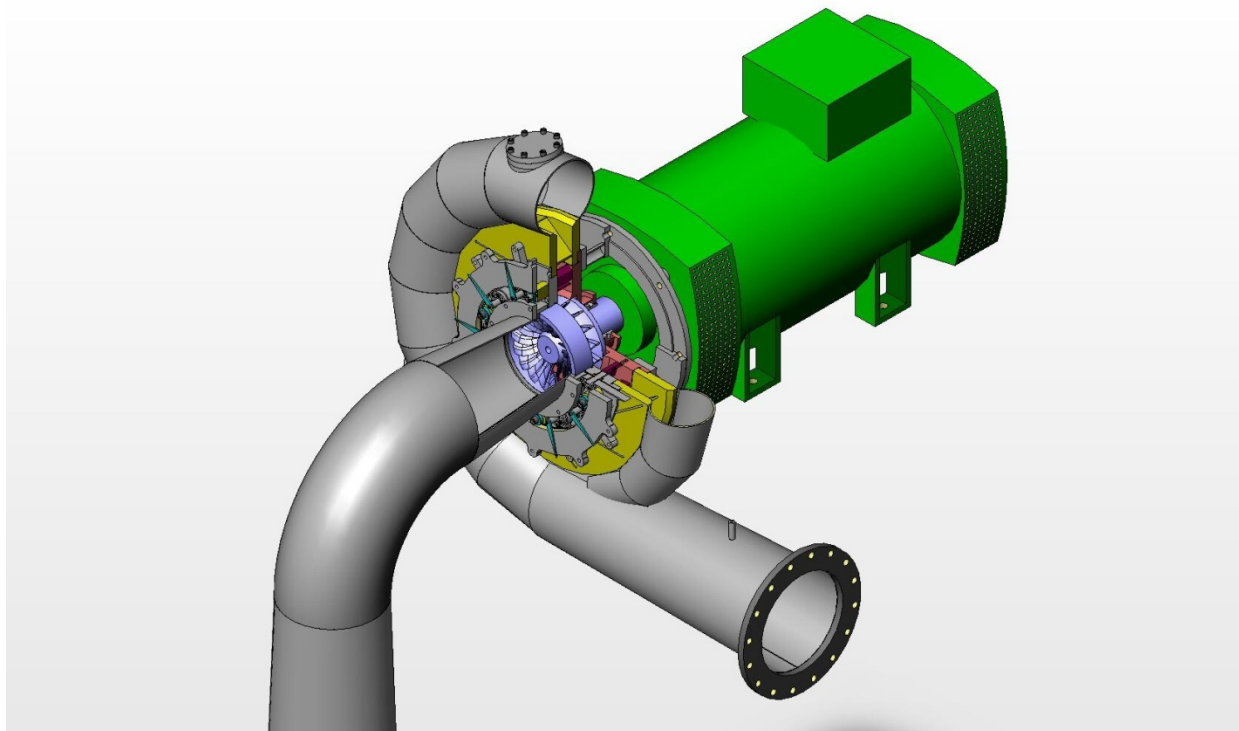


## Francisturbin



**Horisontal Francisturbiner** som konstrueres for opp til 300 meter fallhøyde og inntil 10.000 kW. Turbinhjul produseres i syrefast slitestål og leveres med sertifikat for avbalansering. Sneglehus produseres i rustfritt stål eller alternativt svart stål.

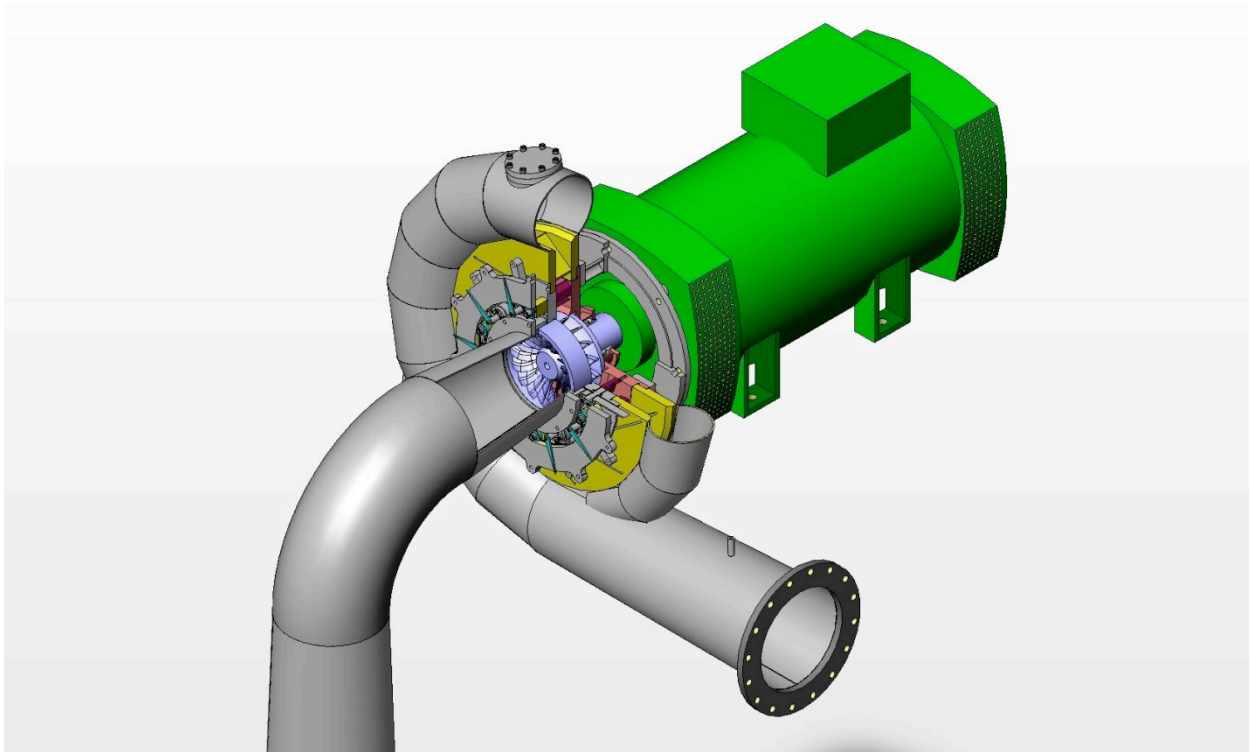
Akseltetning utføres vanligvis med "mechanical seal".

Ledeskovler leveres i rustfritt stål og monteres i vannsmurte lager.

Sugerørene blir laget i ulike standarder og leveres iht. hver leveranse.

Våre Francisturbiner garanteres for virkningsgrad opp til 93,0 % under optimale forhold.

## The Francis turbine



We supply **Horizontal Francis turbines** for heads of up to 300 metres and outputs of up to 10,000 kW. The runner is made of acid-proof stainless steel and comes with a balancing certificate. The spiral-shaped inlet is made of stainless steel or, alternatively, black steel.

As a rule the shaft seal is of the mechanical type.

The guide vanes are made of stainless steel and mounted on water-lubricated bearings.

The draft tubes can be manufactured to various standards according to the delivery specifications.

Our Francis turbines are guaranteed to deliver up to 93.0 % efficiency under optimum conditions.